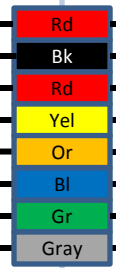
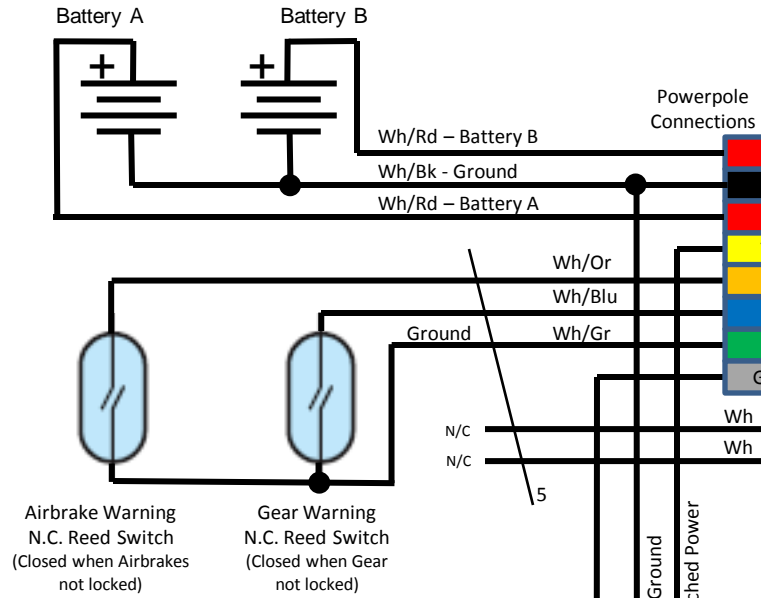
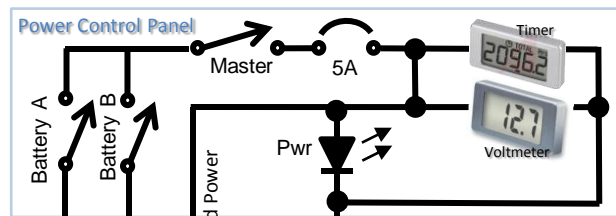
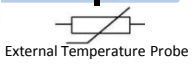


DG-101 N101RP Electrical Systems

Instrument Pod (Upper)

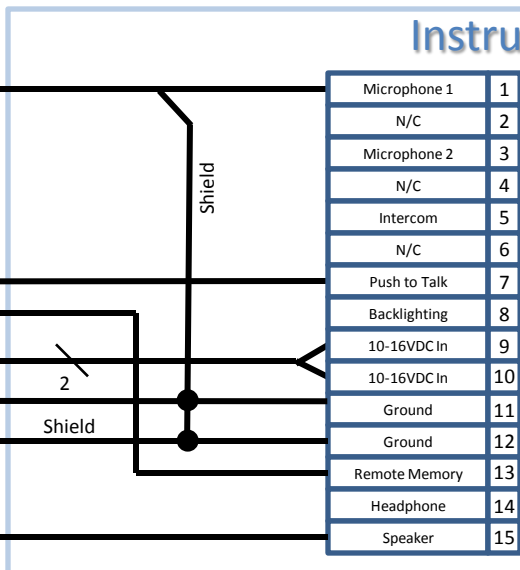
Cambridge 302



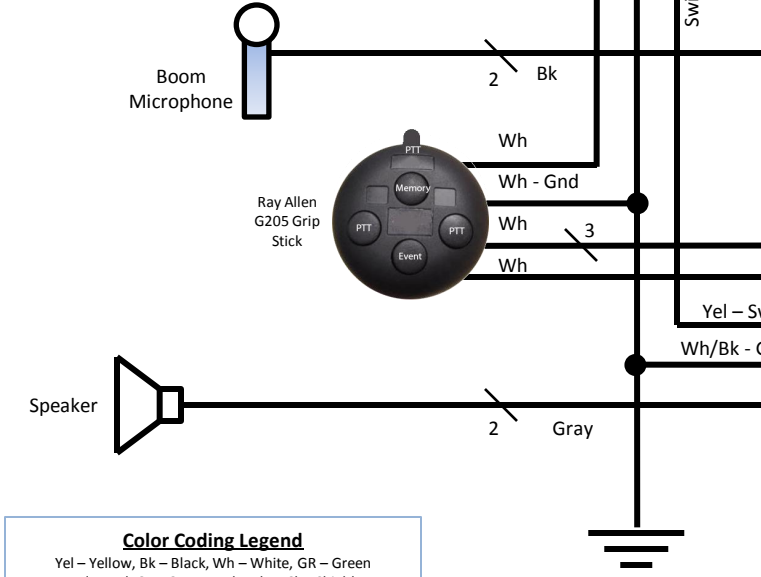
Power (unswitch)	1
Power (switch)	2
Auxiliary Battery	3
Speaker (8 Ω)	4
Speaker (8 Ω)	5
Event Switch	6
Airbrake Warn	7
Gear Warn	8
Cruise/Climb	9
Ground	10

Instrument Pod (Lower)

Micoraire M760



Microphone 1	1
N/C	2
Microphone 2	3
N/C	4
Intercom	5
N/C	6
Push to Talk	7
Backlighting	8
10-16VDC In	9
10-16VDC In	10
Ground	11
Ground	12
Remote Memory	13
Headphone	14
Speaker	15



Color Coding Legend
 Yel - Yellow, Bk - Black, Wh - White, GR - Green
 Rd - Red, Or - Orange, Bl - Blue, Sh - Shield



DG-101 N101RP Custom Power Control Panel Schematic Diagram

